

Plastic Products for the Food Service Industry

Offered by



Plastic Fabrication & Prototyping
Designing & Production

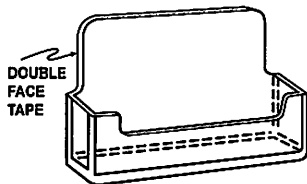
1336 N. 22nd Avenue • Phoenix, AZ 85009

Phone: 602-340-1236 or 800-878-6144 • Fax: 602-340-0357 • orders@desertstarplastics.com

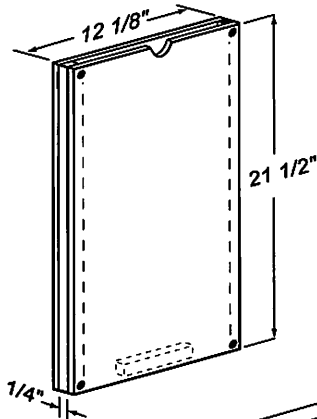
Order online ANYTIME - 24 / 7. To order, visit us at WWW.COOLPLASTIC.COM then select **FAST FOOD INDUSTRY**.

You can place an online order with a Purchase Order (Net 30 Days). All Corporate and Franchise Stores are pre-approved.

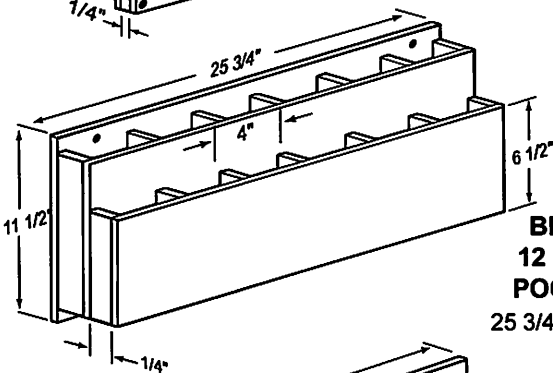
In most cases we ship orders on the same day if the order is received before noon, or the next business day, except special orders.



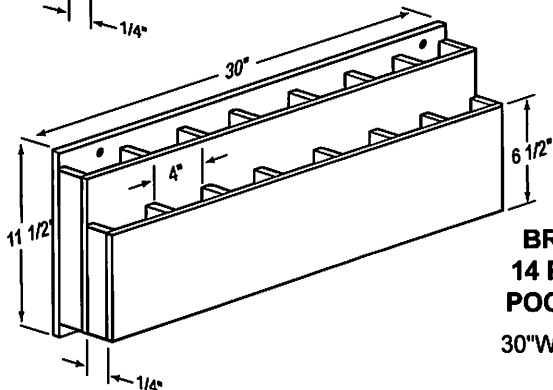
BCH-32
Business Card Holder
with double-faced
tape attached



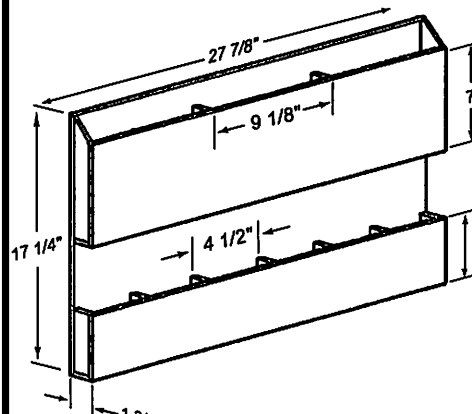
BGD-1221
Bagging Guideline
12 1/8" W x 21 1/2" H
(1/4" depth spacer)



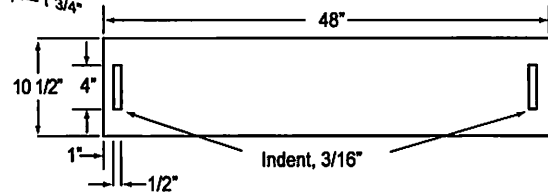
BRSH-12
12 Pockets
POC Holder
25 3/4" W x 11 1/2" H



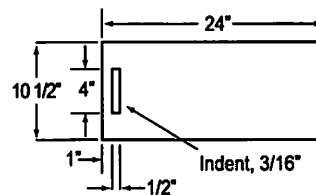
BRSH-14
14 Pockets
POC Holder
30" W x 11 1/2" H



BV-9
9 Pockets
Literature Holder
27 7/8" W x 17 1/4" H
3 pockets 9 1/8" W
& 6 pockets 4 1/2" W

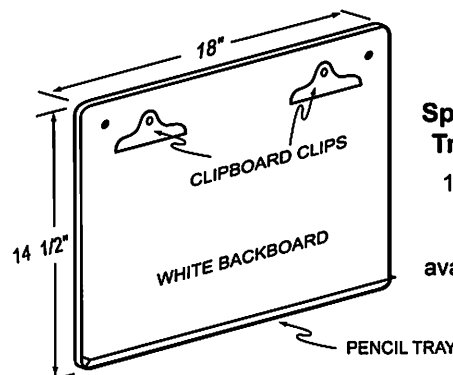


BW-481 Bun Warmer Door
48" W x 10 1/2" H



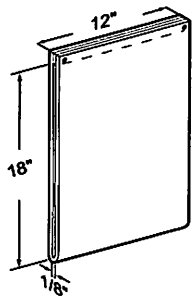
BW-241
Bun Warmer
Door
24" W x 10 1/2" H

You can order a **Bun Warmer Door** of any size to fit your existing warmer. To avoid any mistakes send the exact dimensions by email at orders@DesertStarPlastics.com or by fax 602-340-0357.

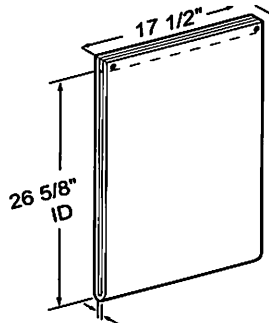


CB-1813
Speed of Service
Tracking Board
18" W x 14 1/2" H

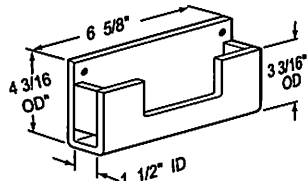
Single Clip
available by request



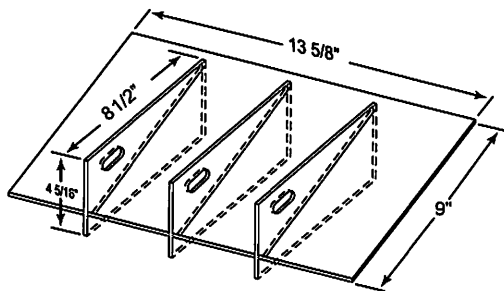
CC-1218
Cleaning Chart
Holder, New
 12"W x 18"H



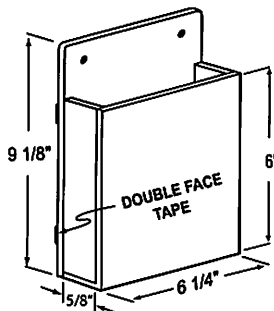
CC-1827
Cleaning Chart
Holder
 17 1/2"W x 27"H



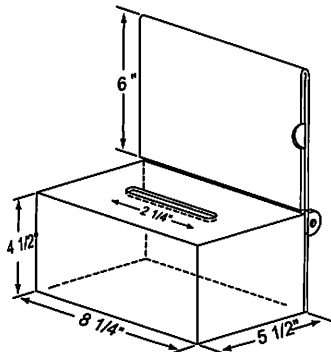
CCH-64
Comment Card
Holder
 6 5/8"W x 4 3/16"H x 1 3/4"D



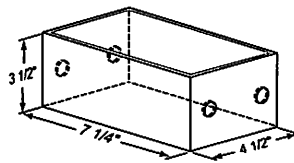
CD-9136
Condiment
Divider
 13 5/8"W x 9"H
 Ships Flat
 3-4 5/16" x 8 1/2"
 1-13 5/8" x 9"
 Impact Resistant



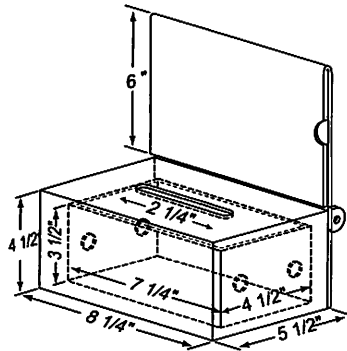
CEH-66
Conducting the Effective
Huddle Holder
 6 1/4"W x 9 1/8"H



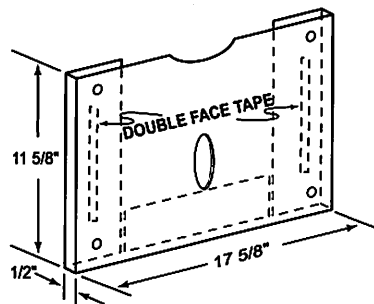
DFD-1
Donation Box
without Cash Container
 Impact Resistant



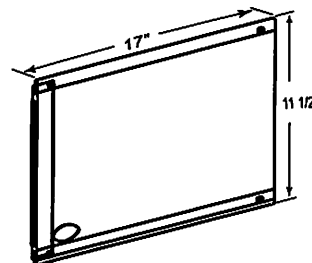
DFD-0
Removable Cash
Container for
Donation Box DFD-1



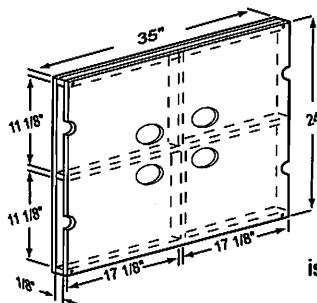
DFD-10
Donation Box
includes
Cash Container
Impact Resistant



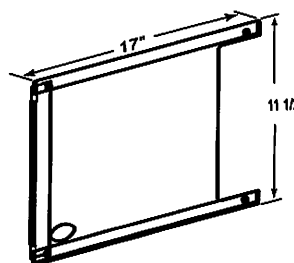
DOP-1711
Daily Operations
Plan Holder
 Made of Durable Plastic (PE)
 17 5/8" W x 11 5/8" H
 1/2" pocket thickness



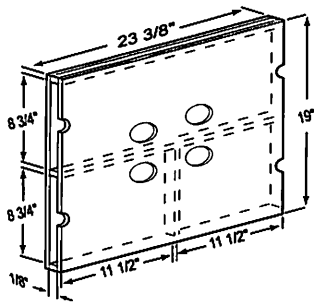
DOP-L1
Daily Operations
Plan Holder without Cutout
 Made of Durable Plastic (PE)
 comes with attached
 double-face tape
 17" W x 11 1/2" H



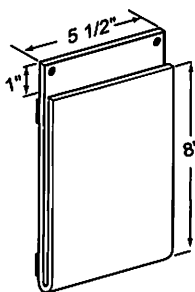
DOP-L4
Daily Operations
Plan Holder, Large
 4 pockets
 17 1/8"W x 11 1/8"H
 *Available with Red Strips
 * 2 pockets one above the other
 is DOP-L2 (right part of the display)



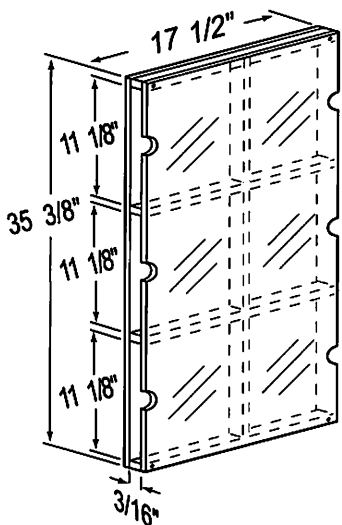
DOP-LC1
Daily Operations
Plan Holder with Cutout
 Made of Durable Plastic (PE)
 comes with
 double-face tape
 17" W x 11 1/2" H



DOP-S4
Daily Operations
Plan Holder, Small
 4 pockets
 11 1/2"W x 8 3/4"H
 *Available with Red Strips
 2 pockets one above the other
 11 1/2"W x 8 3/4"H
 is called DOP-S2

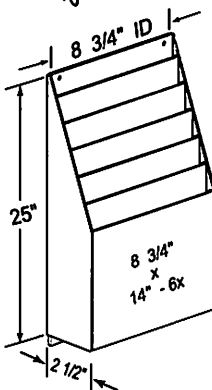


FFRC-58
French Fry Rotating Chart Holder
 Made of Lexan for heat resistance
 5 1/2"W x 8"H

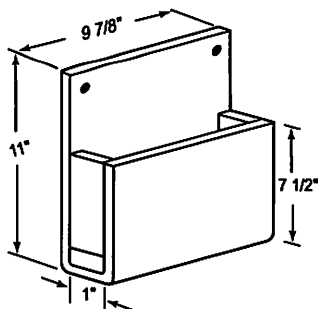


FLRD-6
 with Red Back Board
 6 pockets
 8 1/2" x 11"

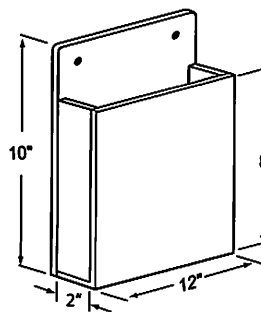
Also available **FLRD-4**
 with 4 pockets
 holds 8 1/2" x 11" sheets
 Red Back



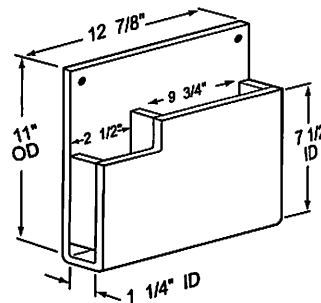
FSH-0814
Flow Chart Holder
 6 pockets
 8 1/2"W x 14"H
 Stair-Step Style,
 Wall Mount



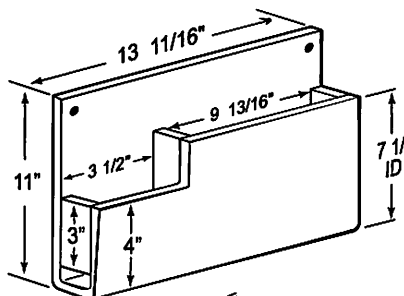
FSLB-911
Food Safety
Leader Board
 9 7/8"W x 11"H



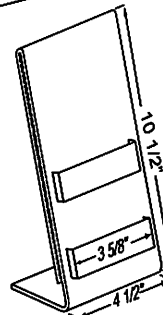
FSRB-1210
Food Safety
Renewal
Book
 12"W x 10"H



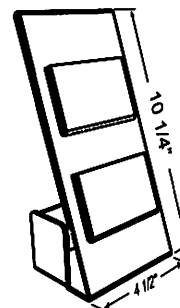
FSTH-911*
Food Safety Book &
Thermometer Holder
 12 7/8"W x 11"H x 1 1/2"D
 * Available in *Durable Plastic (PE)*, when
 ordering specify index -P
FSTH-911-P



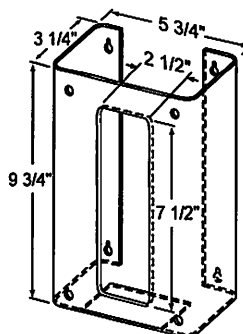
FSTH-911B*
Food Safety Book &
Thermometer Holder
 To hold large pyrometer
 i.e. economo temp 3211
 13 11/16"W x 11"H x 1 1/2"D
 * Available in *Durable Plastic (PE)*, when
 ordering specify index -P
FSTH-911B-P



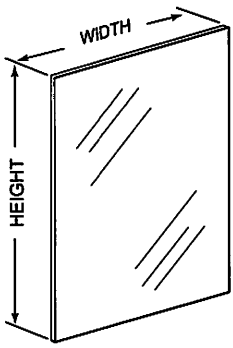
GCH-2
Gift Card
Holder
 4 1/2"W x 10 1/2"H



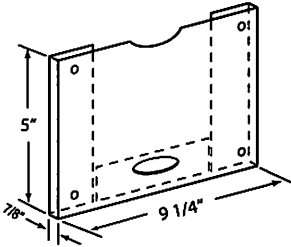
GCH-3
Gift Card
Holder
 4 1/2"W x 10 1/4"H



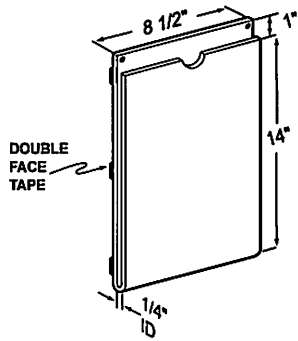
GL-539
Glove Box
Impact Resistant Lexan
 5 3/4"W x 9 3/4"H x 3 1/4"D



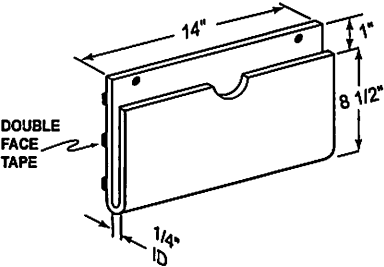
GSA-CTS
Acrylic Graffiti
Mirror Shield
 CUT TO SIZE
 Will be cut to
 provided dimensions,
 Width and Height



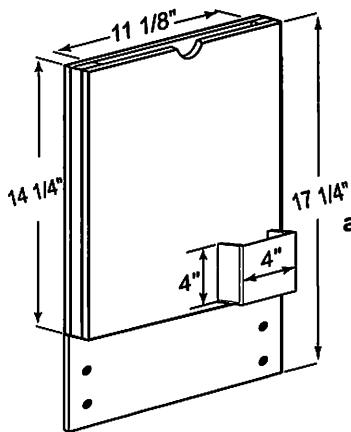
HCC-95
Huddle Coach Card
Holder
 Made of *Durable Plastic (PE)*
 9" W x 5" H
 1/2" pocket thickness



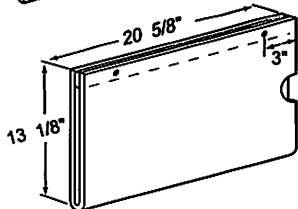
JC-0814
Chart Holder
Vertical
 8 1/2"W x 15"H



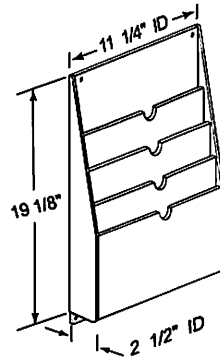
JC-1408
Chart Holder
Horizontal
 14"W x 8 1/2"H



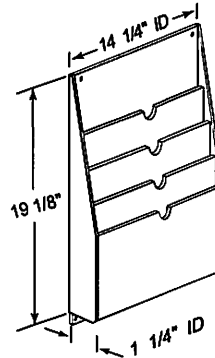
JO-1117
Promotional Coupon
Sign Holder,
aka Community Events Post
 Holds 11" x 14" Sheet
 Has 4" x 4" Pocket



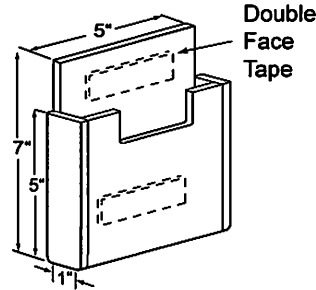
LCOT-2013
Laminated COT
Chart Holder
 20 5/8"W x 13 1/8"H



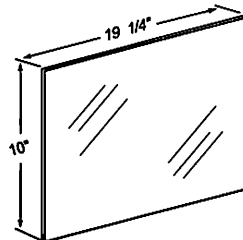
MCB-1184
Manager's
Communication Board
 4 pockets 11"W x 8 1/2"H
 Stair-Step Style,
 Wall Mount



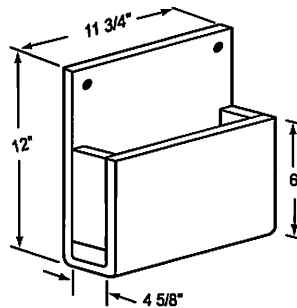
MCB-1484
Manager's
Communication Board
 4 pockets 14"W x 10 1/2"H
 Stair-Step Style,
 Wall Mount



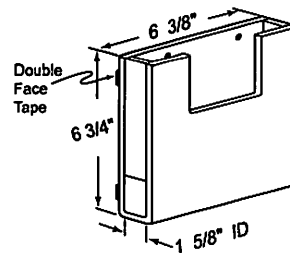
NGH-471
Nutritional
Guide
Holder
 5"W x 7"H



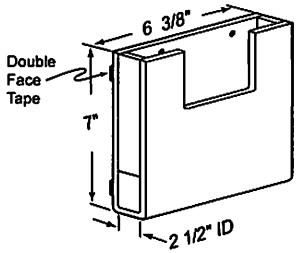
NS-1019
Nugget Shield
 19 1/4"W x 10"H
 custom size available



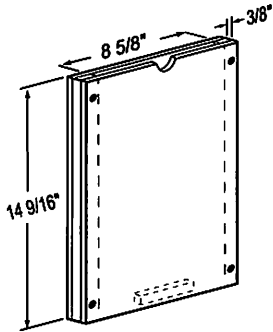
OM-1211
Operations Manual
Holder, Large (2010)
 11 3/4"W x 12"H x 4 5/8"D



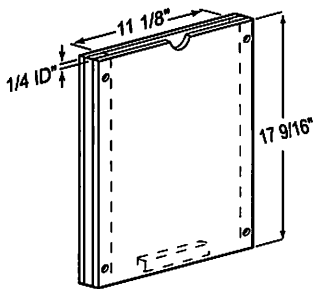
OM-610
Operations
Manual Holder
 6 3/8"W x 6 3/4"H x 1 3/4"D



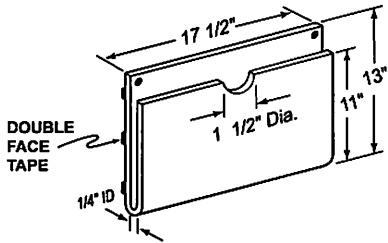
OM-625
Operations
Manual Holder 625
 6 3/8"W x 7"H x 3"D



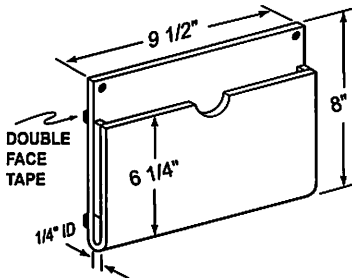
PH-0814
Schedule Holder
 for 8 1/2"W x 14"H insert
 with Finger Notch and
 Wall Mount Holes
 (3/8" depth spacer)



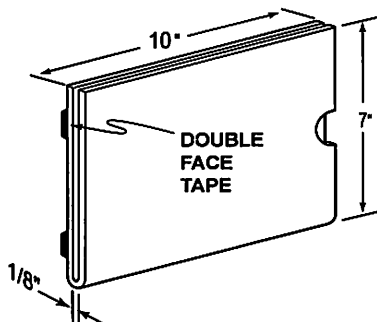
PH-1117
Pickup Window
 for 11" x 17" insert
 with Finger Notch and
 Wall Mount Holes
 (1/8" depth spacer)



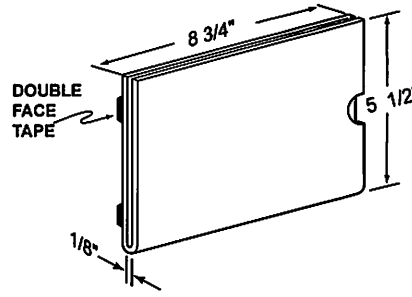
PH-1711
Pick-Up Window
Team Service
Time Chart
 17 1/2"W x 13"H



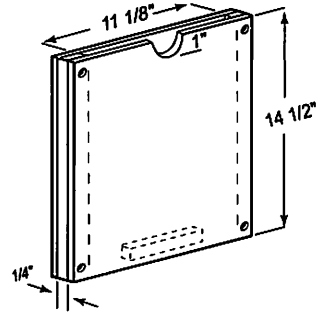
PMA-89
Positioning Manual
Holder
(Ops. Leader Holder)
 9 1/2"W x 8"H



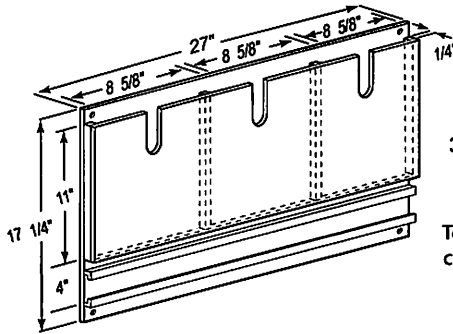
PTC-107
Sandwich
Build Card
Holder
 10"W x 7"H



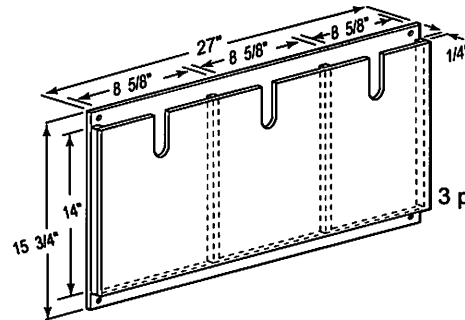
PTC-96
Positional Tip Card
Potato Visual
Sandwich Station Card
 8 3/4"W x 5 1/2"H



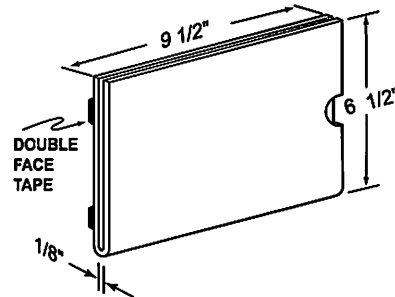
ROE-1114
Inspection Report
Holder
 11"W x 14"H
 3/8" depth spacer



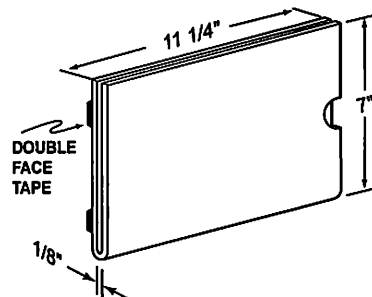
SB-33B
Multi-pocket
Sparkle Board
 3 pockets 8 1/2"W x 11"H
 with Manager's card
 slots, bottom unit
 To order without Manager's
 card slot ask for SB-33B SP



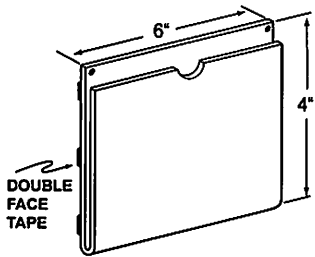
SB-33T
Multi-pocket
Sparkle Board
 3 pockets 8 1/2"W x 14"H
 Top Unit



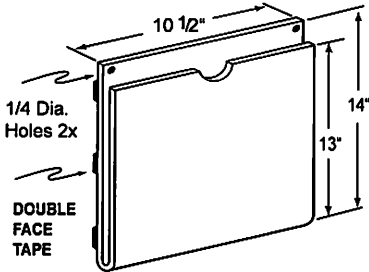
SCH-107
Sandwich Card
Holder
 9 1/2"W x 6 1/2"H



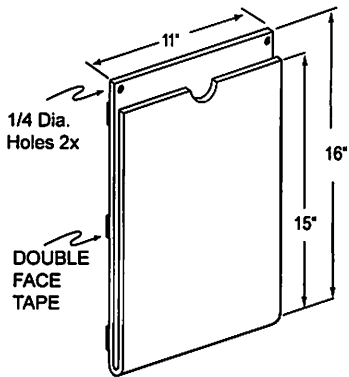
SCH-127
New Sandwich
Card Holder
 with Double
 Face Tape
 11 1/4"W x 7"H



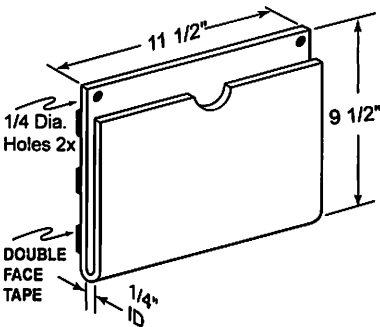
SCH-46
Sandwich
Card Holder
6"W x 4"H



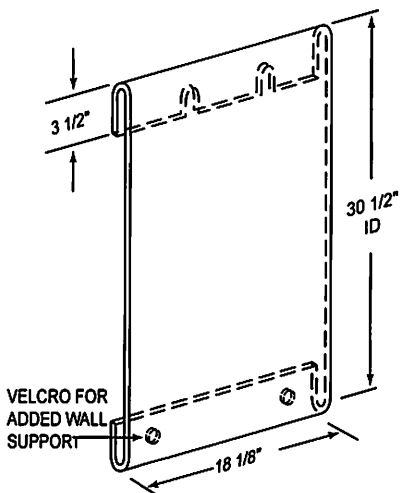
SH-1013
Late Night
Flow Chart
Holder
10 1/2"W x 14"H



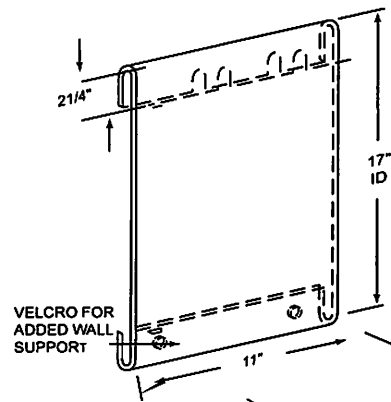
SH-1115
Opening Flow
Chart Holder
Heavy Duty
11"W x 16"H



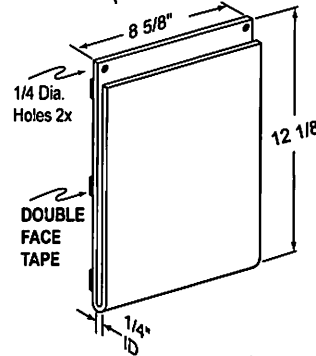
SH-119*
Horizontal Display Holder
(Heavy Duty)
11 1/2"W x 9 1/2"H
* Available in *Durable Plastic (PE)*, when
ordering specify index *-P*
SH-119-P



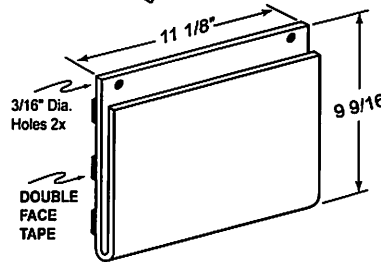
SH-1830
Vertical Display
Holder, aka
Nutrition Guide Holder
for Consumer Display
Impact Resistant Plastic
18 1/8"W x 30 1/2"H



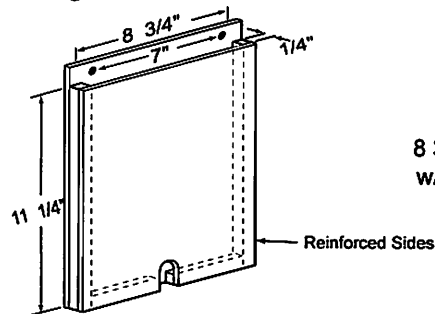
SH-1117
Vertical Display
Holder 2014
Nutrition Guide Holder
for Consumer Display
Impact Resistant Plastic
11"W x 17"H



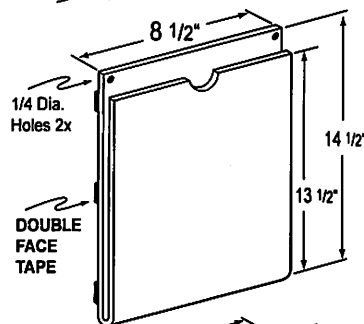
SH-811*
Signholder (Lightweight*)
11 1/8"W x 9 5/8"H
* Available in *Durable Plastic (PE)*, when
ordering specify index *-P*
SH-811-P



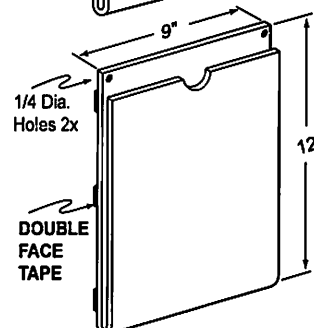
SH-811-A*
Sign Holder (Lightweight)
11 1/8"W x 9 5/8"H
* Available in *Durable Plastic (PE)*, when
ordering specify index *-P*
SH-811-A-P



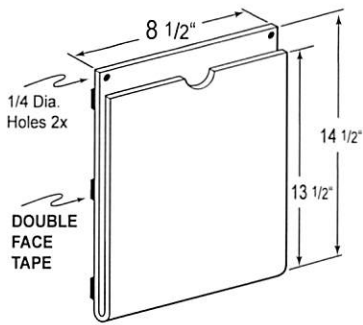
SH-811-1
Sign Holder
8 3/4"W x 11 1/4"H
wreinforced sides



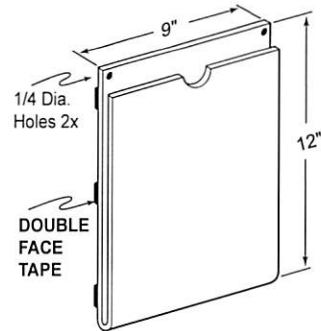
SH-813
Emergency
Procedure
Holder
Heavy Duty
8 1/2"W x 14"H



SH-911*
Vertical Display Holder
Heavy Duty, 9"W x 12"H
* Available in *Durable Plastic (PE)*, when
ordering specify index *-P*
SH-911-P

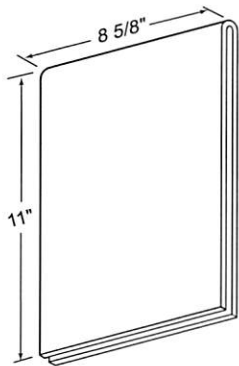


SH-813
Emergency Procedure Holder
 Heavy Duty
 8 1/2"W x 14"H



SH-911*
Vertical Display Holder
 Heavy Duty, 9"W x 12"H

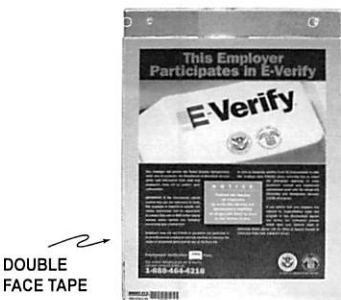
* Available in **Durable Plastic (PE)**, when ordering specify index **-P**
SH-911-P



SHEV-1
E-Verify Sign Holder

Insert for WEC-1 Employment Center
 Holds 8 1/2" x 11" poster
 Comes with VELCRO tab

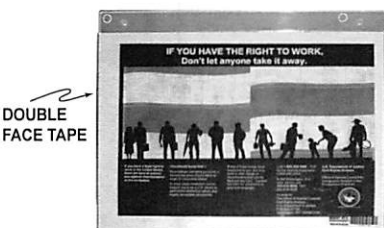
VELCRO TAB ON THE BACK



SHEV-2
E-Verify Sign Holder Wall Mount

Holds an 8 1/2" x 11" poster to inform your future employees that you will verify employment eligibility.

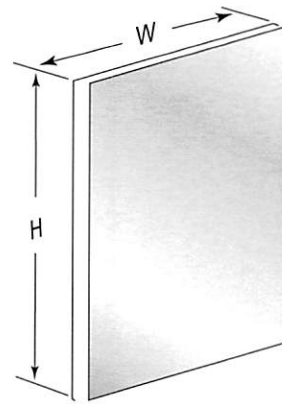
Poster is included.
 Available in English & Spanish.
 (pick one)



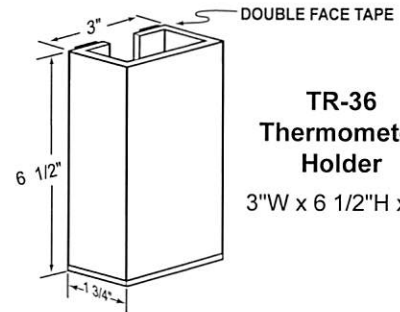
SHEV-3
E-Verify - Right to Work Wall Mount Sign Holder

Holds 8 1/2" x 11" poster to inform employees & new hires that their right to work is protected against discrimination.

Poster is included.
 Available in English & Spanish.

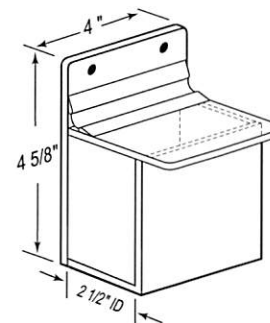


SM-CTS
Replacement Acrylic Mirrors
 Will be cut to provided dimensions, Width and Height
CUT TO SIZE



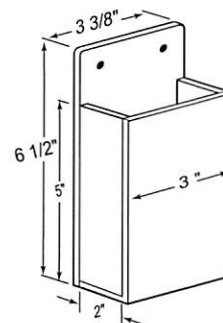
TR-36
Thermometer Holder

3"W x 6 1/2"H x 1 3/4"D



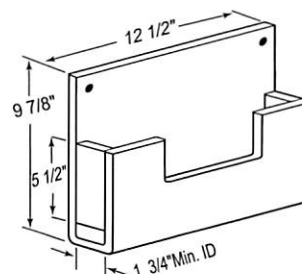
TS-346
Test Strip Holder

4"W x 4 5/8"H x 3 5/8"D



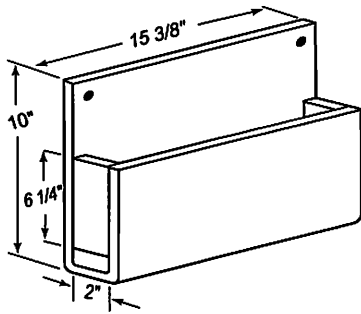
TS-3460
Frosty Lube Holder

3 3/8"W x 6 1/2"H

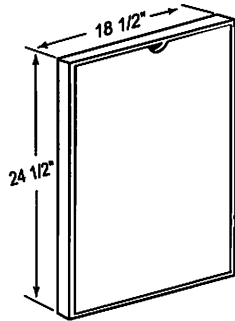


WBH-1
Greenbook/Redbook Holder (Small)

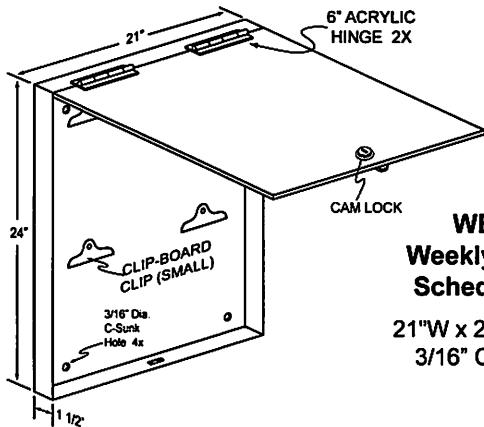
12 1/2"W x 10"H



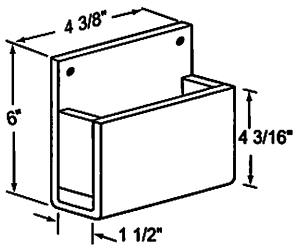
WBH-2
Workbook
Holder
 (Large)
 15 3/8"W x 10"H



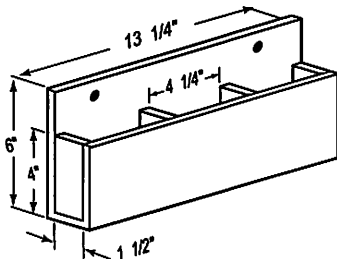
WEC-2
Employment Center
Poster Holder
 18 1/2"W x 24 1/2"H



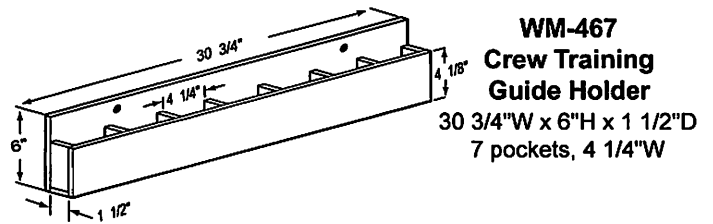
WES-2124
Weekly Employee
Schedule Holder
 21"W x 24"H x 1 1/2"D
 3/16" Clear Acrylic



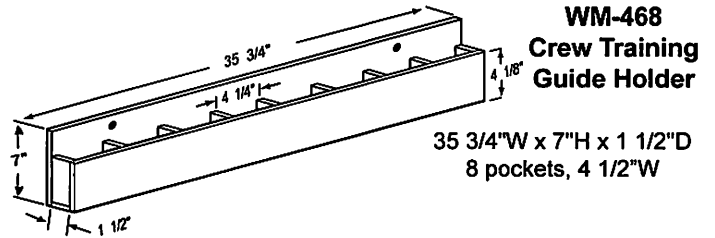
WM-461
COT in Progress
Form Holder
 4 3/8" W x 6" H x 1 3/4" D



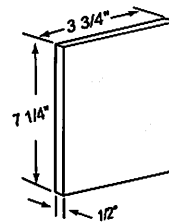
WM-463
Crew Training
Guide Holder
 13 1/4"W x 6"H x 1 1/2"D
 3 pockets 4 1/4"W



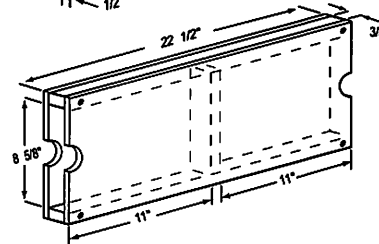
WM-467
Crew Training
Guide Holder
 30 3/4"W x 6"H x 1 1/2"D
 7 pockets, 4 1/4"W



WM-468
Crew Training
Guide Holder
 35 3/4"W x 7"H x 1 1/2"D
 8 pockets, 4 1/2"W



WPC-73
1/2" Polycarbonate
Bullet Resistant Panel
 3 3/4"W x 7 1/4"H x 1/2"D
 Cut to Size available



WPD-2
Weekly Plan
Holder
 2 pockets
 11"W x 8 1/2"H

- PK 1: 12 SH-811P**
7 SH-811 AP
1 FLRD6
1 CB-1813
1 FSTH-911
4 DOPL1
1 DOP1711
1 HCC-95

PK 2: ALL THE ABOVE MINUS FLRD6

- PK3: Service of excellence SOE-2000**
2 OM-625
4 SH-811AP
4 SH-811P
1 DOP-1711
2 DOP-L1
1 PMA-89
1 HCC-95

Do you have a special need at your store?
 We provide custom fabrication services.
 Call us with your ideas 1-800-878-6144

We also have:

Menu Holders, Brochure Racks, Sign Holders,
 Ballot and Donation Boxes, Product Displays, and more.
 You will find more holders at www.coolplastic.com