

Plastic Products for the Food Service Industry

Offered by



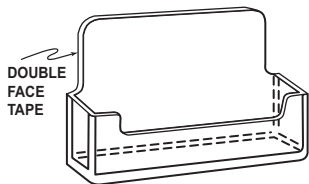
2212 West McDowell Road • Phoenix, AZ 85009

Phone: 602-340-1236 or 800-878-6144 • Fax: 602-340-0357 • orders@DesertStarPlastics.com

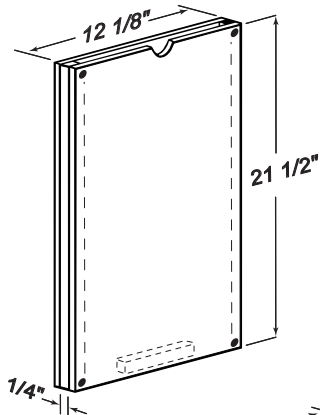
Order online ANYTIME - 24 / 7. To order, visit us at WWW.COOLPLASTIC.COM then select **FAST FOOD INDUSTRY**.

You can place an online order with a Purchase Order (Net 30 Days). All Corporate and Franchise Stores are pre-approved.

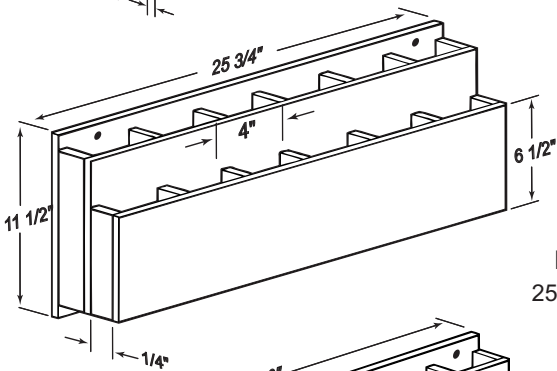
In most cases we ship orders on the same day if the order is received before noon, or the next business day, except special orders.



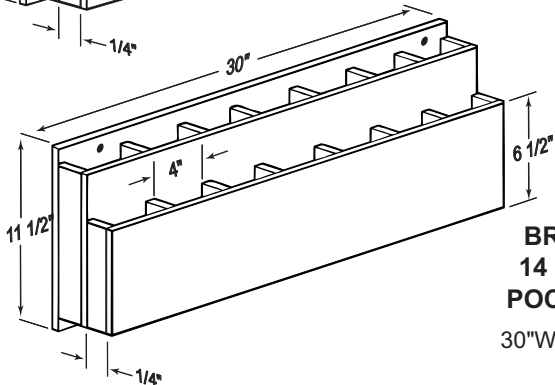
BCH-32
Business Card Holder
with double-faced
tape attached



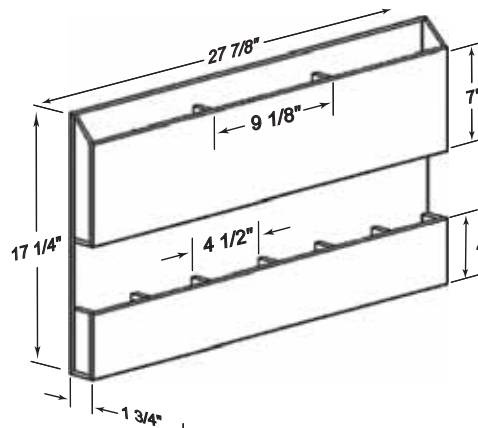
BGD-1221
Bagging Guideline
12 1/8" W x 21 1/2" H
(1/4" depth spacer)



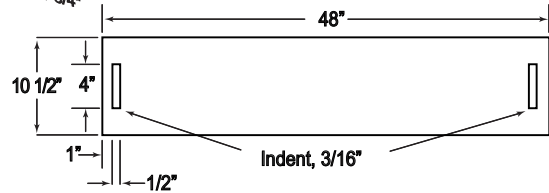
BRSH-12
12 Pocket
POC Holder
25 3/4" W x 11 1/2" H



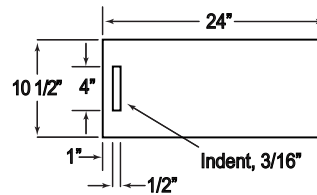
BRSH-14
14 Pocket
POC Holder
30" W x 11 1/2" H



BV-9
Nine Pocket
Literature Holder
27 7/8" W x 17 1/4" H
3 pockets 9 1/8" W
& 6 pockets 4 1/2" W

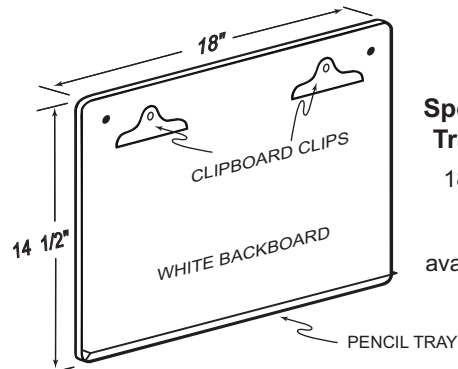


BW-481 Bun Warmer Door
48" W x 10 1/2" H



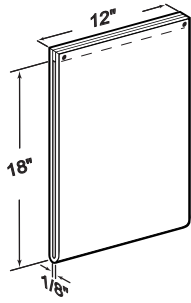
BW-241
Bun Warmer
Door
24" W x 10 1/2" H

You can order a **Bun Warmer Door** of any size to fit your existing warmer. To avoid any mistakes send the exact dimensions by email at orders@DesertStarPlastics.com or by fax **602-340-0357**.

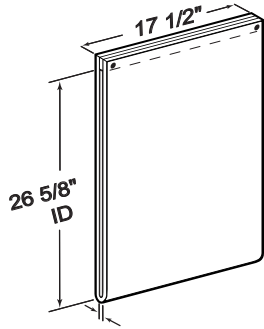


CB-1813
Speed of Service
Tracking Board
18" W x 14 1/2" H

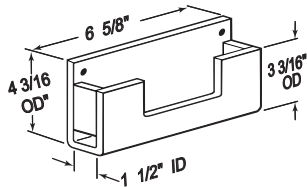
Single Clip
available by request



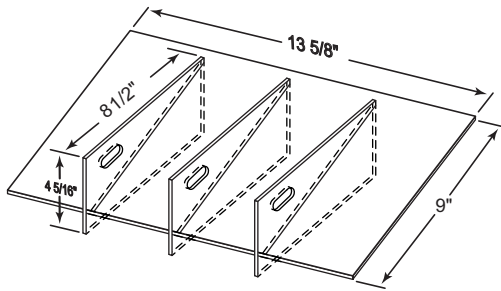
CC-1218
Cleaning Chart
Holder, New
 12"W x 18"H



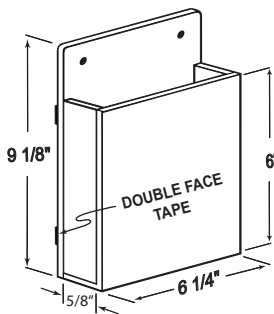
CC-1827
Cleaning Chart
Holder
 17 1/2"W x 27"H



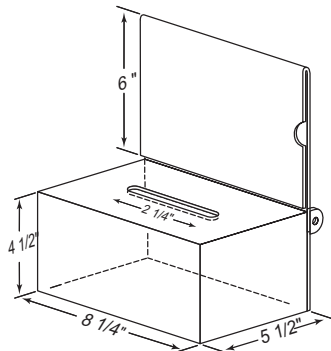
CCH-64
Comment Card Holder
 6 5/8"W x 4 3/16"H x 1 3/4"D



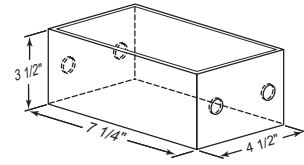
CD-9136
Condiment
Divider
 13 5/8"W x 9"H
 Ships Flat
 3-4 5/16"x 8 1/2"
 1-13 5/8" x 9"
 Impact Resistant



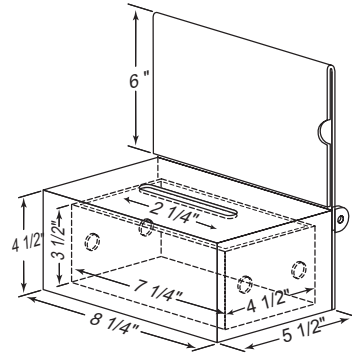
CEH-66
Conducting the Effective
Huddle Holder
 6 1/4"W x 9 1/8"H



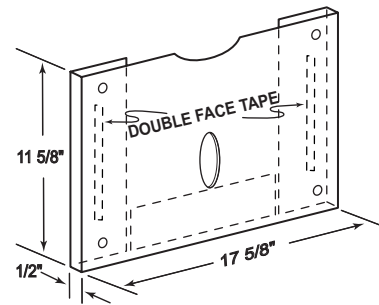
DFD-1
Donation Box
without Cash Container
 Impact Resistant



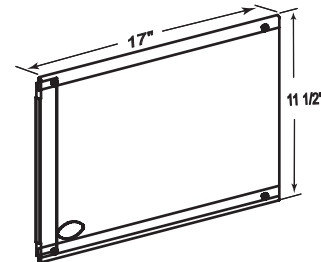
DFD-0
Removable Cash
Container for
Donation Box DFD-1



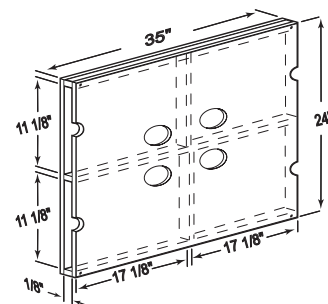
DFD-10
Donation Box
includes
Cash Container
 Impact Resistant



DOP-1711
Daily Operations
Plan Holder
 Made of Durable Plastic (PE)
 17 5/8" W x 11 5/8" H
 1/2" pocket thickness

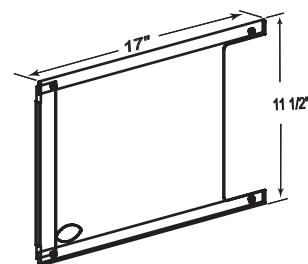


DOP-L1
Daily Operations
Plan Holder without Cutout
 Made of Durable Plastic (PE)
 comes with attached
 double-face tape
 17" W x 11 1/2" H

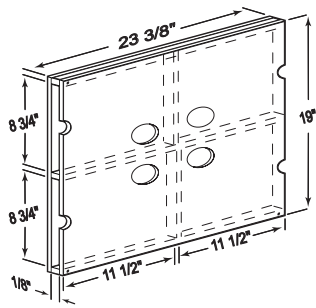


DOP-L4
Daily Operations
Plan Holder, Large
 4 packets
 17 1/8"W x 11 1/8"H

*Available with Red Strips



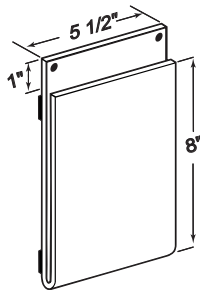
DOP-LC1
Daily Operations
Plan Holder with Cutout
 Made of Durable Plastic (PE)
 comes with attached
 double-face tape
 17" W x 11 1/2" H



DOP-S4
Daily Operations
Plan Holder, Small

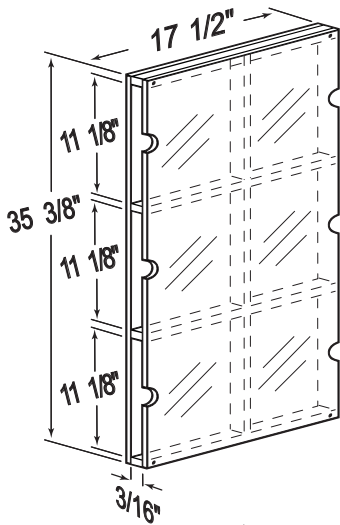
4 packets
11 1/2"W x 8 3/4"H

*Available with Red Strips



FFRC-58
French Fry Rotating Chart Holder

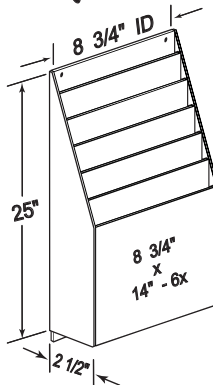
Made of Lexan for heat resistance
5 1/2"W x 8"H



FLRD-6

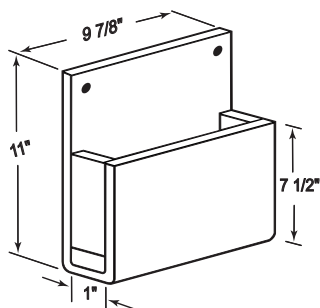
with Red Back Board
6 pockets
8 1/2" x 11"

Also available **FLRD-4**
with 4 pockets
holds 8 1/2" x 11" sheets
Red Back



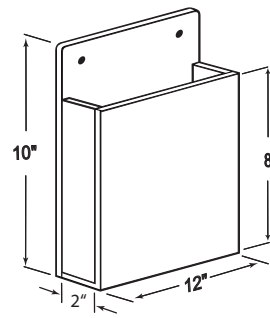
FSH-0814
Flow Chart Holder

6 packets
8 1/2"W x 14"H
Stair-Step Style,
Wall Mount



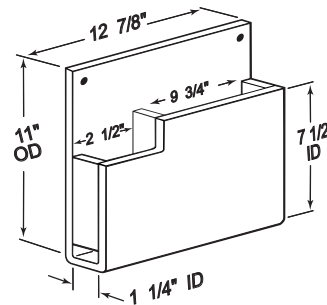
FSLB-911
Food Safety
Leader Board

9 7/8"W x 11"H



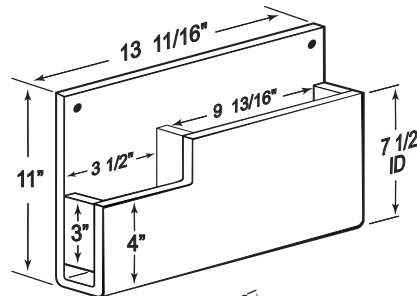
FSRB-1210
Food Safety
Renewal
Book

12"W x 10"H



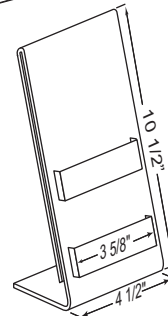
FSTH-911*
Food Safety Book &
Thermometer Holder

12 7/8"W x 11"H x 1 1/2"D
* Available in **Durable Plastic (PE)**, when ordering specify index **-P FSTH-911-P**



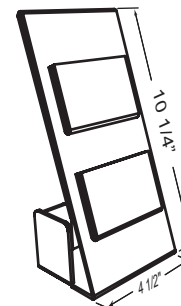
FSTH-911B*
Food Safety Book &
Thermometer Holder

To hold large pyrometer
i.e. economo temp 3211
13 11/16"W x 11"H x 1 1/2"D
* Available in **Durable Plastic (PE)**, when ordering specify index **-P FSTH-911B-P**



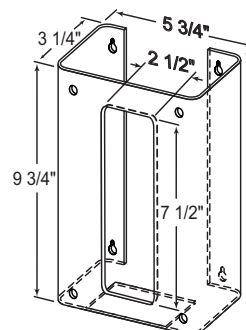
GCH-2
Gift Card
Holder

4 1/2"W x 10 1/2"H



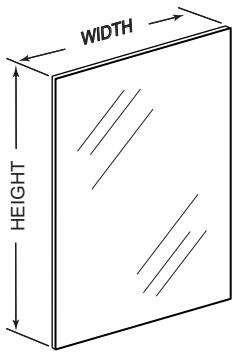
GCH-3
Gift Card
Holder

4 1/2"W x 10 1/4"H



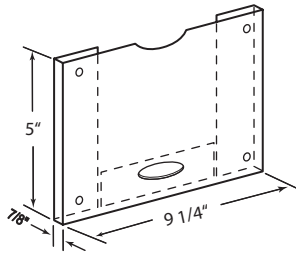
GL-539
Glove Box
Impact Resistant Lexan

5 3/4"W x 9 3/4"H x 3 1/4"D



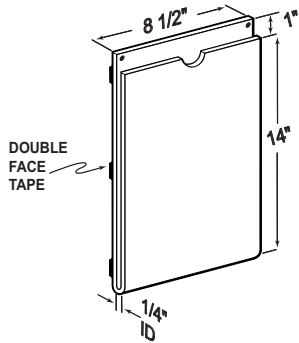
**GSA-CTS
Acrylic Graffiti
Mirror Shield**

CUT TO SIZE
Will be cut to
provided dimensions,
Width and Height



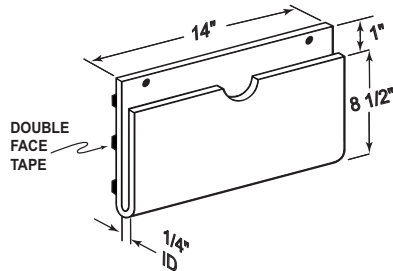
**HCC-95
Huddle Coach Card
Holder**
Made of *Durable Plastic (PE)*

9" W x 5" H
1/2" pocket thickness



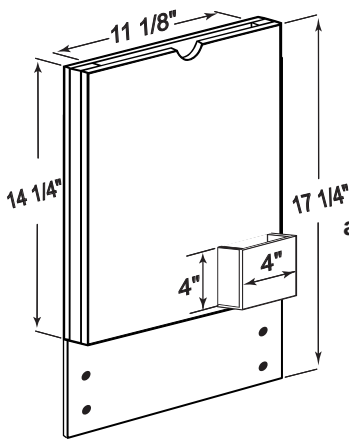
**JC-0814
Chart Holder
Vertical**

8 1/2"W x 15"H



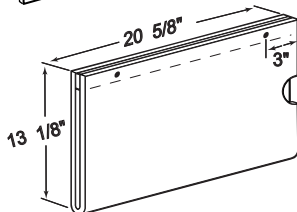
**JC-1408
Chart Holder
Horizontal**

14"W x 8 1/2"H



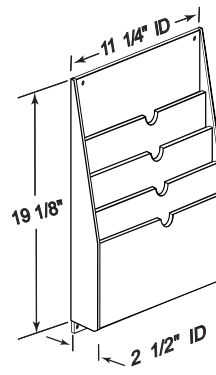
**JO-1117
Promotional Coupon
Sign Holder,
aka Community Events Post**

Holds 11" x 14" Sheet
Has 4" x 4" Pocket



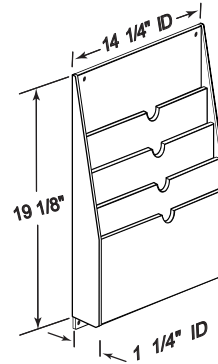
**LCOT-2013
Laminated COT
Chart Holder**

20 5/8"W x 13 1/8"H



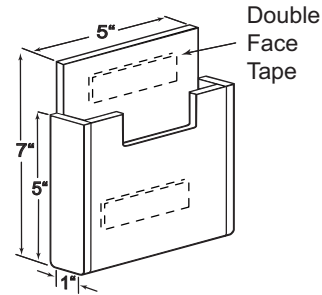
**MCB-1184
Manager's
Communication Board**

4 packets 11"W x 8 1/2"H
Stair-Step Style,
Wall Mount



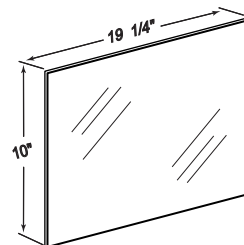
**MCB-1484
Manager's
Communication Board**

4 packets 14"W x 10 1/2"H
Stair-Step Style,
Wall Mount



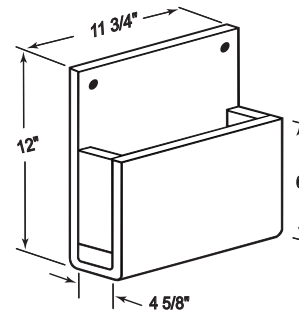
**NGH-471
Nutritional
Guide
Holder**

5"W x 7"H



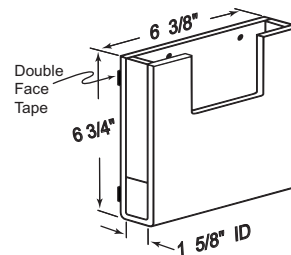
**NS-1019
Nugget Shield**

19 1/4"W x 10"H



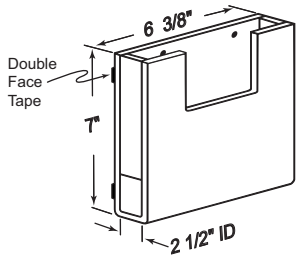
**OM-1211
Operations Manual
Holder, Large (2010)**

11 3/4"W x 12"H x 4 5/8"D

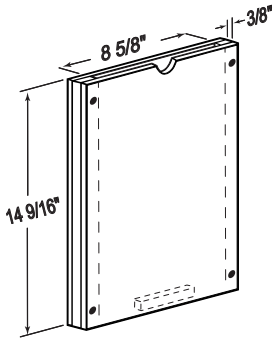


**OM-610
Operations
Manual Holder**

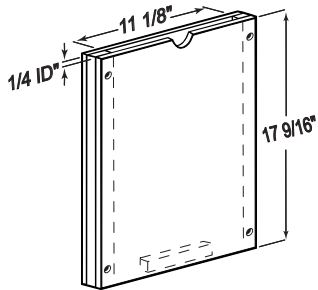
6 3/8"W x 6 3/4"H x 1 3/4"D



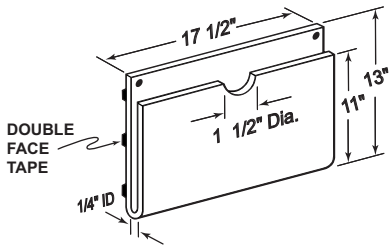
OM-625
Operations
Manual Holder 625
 6 3/8"W x 7"H x 3"D



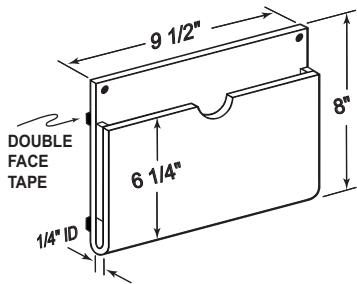
PH-0814
Schedule Holder
 for 8 1/2"W x 14"H insert
 with Finger Notch and
 Wall Mount Holes
 (3/8" depth spacer)



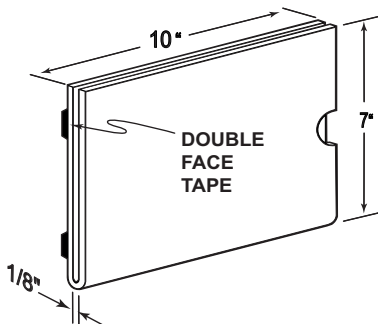
PH-1117
Pickup Window
 for 11" x 17" insert
 with Finger Notch and
 Wall Mount Holes
 (1/8" depth spacer)



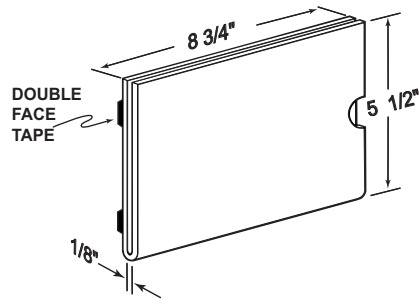
PH-1711
Pick-Up Window
Team Service
Time Chart
 17 1/2"W x 13"H



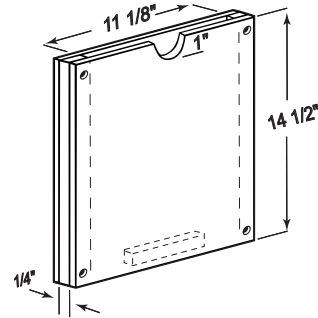
PMA-89
Positioning Manual
Holder
(Ops. Leader Holder)
 9 1/2"W x 8"H



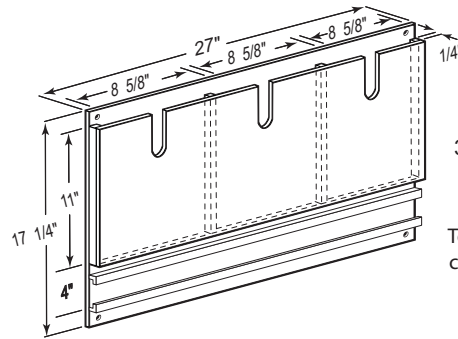
PTC-107
Sandwich
Build Card
Holder
 10"W x 7"H



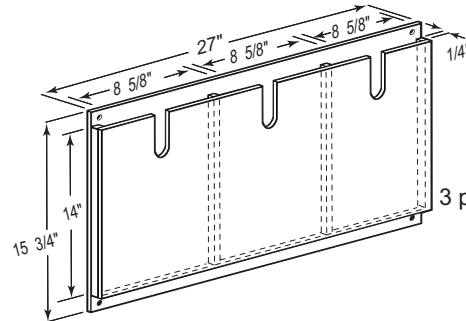
PTC-96
Positional Tip Card
Potato Visual
Sandwich Station Card
 8 3/4"W x 5 1/2"H



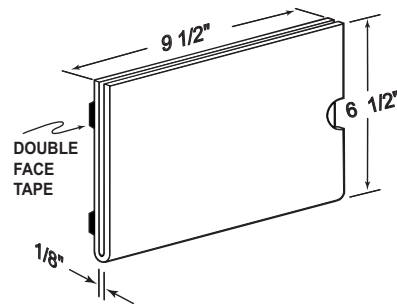
ROE-1114
Inspection Report
Holder
 11"W x 14"H
 3/8" depth spacer



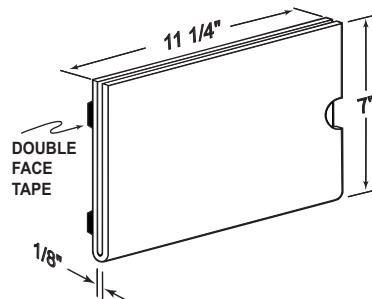
SB-33B
Multi-pocket
Sparkle Board
 3 pockets 8 1/2"W x 11"H
 with Manager's card
 slots, bottom unit
 To order **without** Manager's
 card slot ask for **SB-33B SP**



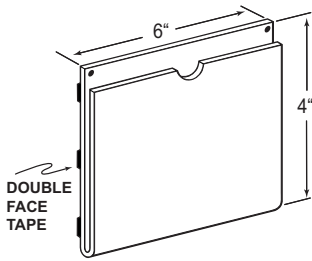
SB-33T
Multi-pocket
Sparkle Board
 3 pockets 8 1/2"W x 14"H
 Top Unit



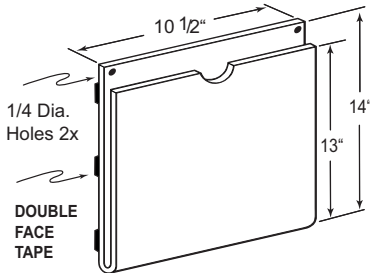
SCH-107
Sandwich Card
Holder
 9 1/2"W x 6 1/2"H



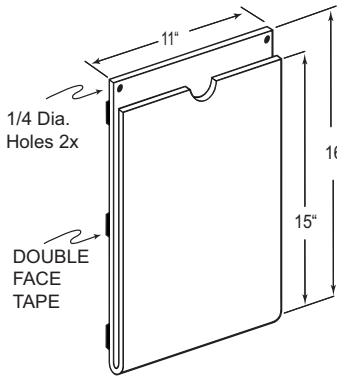
SCH-127
New Sandwich
Card Holder
 with Double
 Face Tape
 11 1/4"W x 7"H



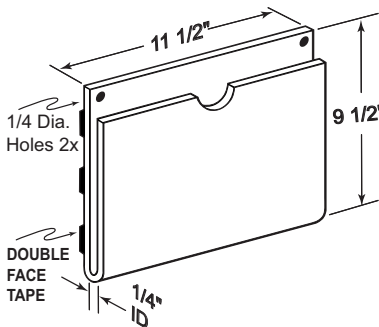
SCH-46
Sandwich
Card Holder
 6"W x 4"H



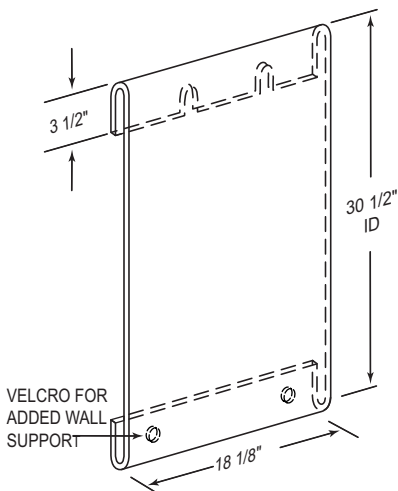
SH-1013
Late Night
Flow Chart
Holder
 10 1/2"W x 14"H



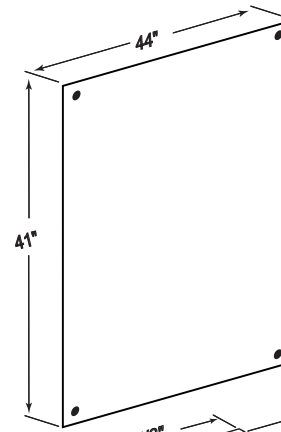
SH-1115
Opening Flow
Chart Holder
 Heavy Duty
 11"W x 16"H



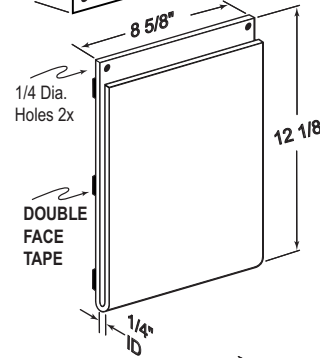
SH-119*
Horizontal Display Holder
 (Heavy Duty)
 11 1/2"W x 9 1/2"H
 * Available in **Durable Plastic (PE)**, when ordering specify index **-P**
SH-119-P



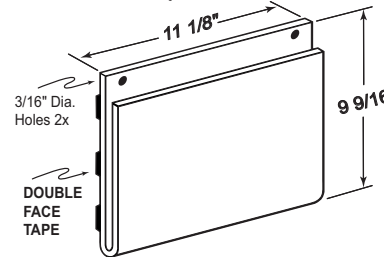
SH-1830
Vertical Display
Holder, aka
Nutrition Guide Holder
 for Consumer Display
 Impact Resistant Plastic
 18 1/8"W x 30 1/2"H



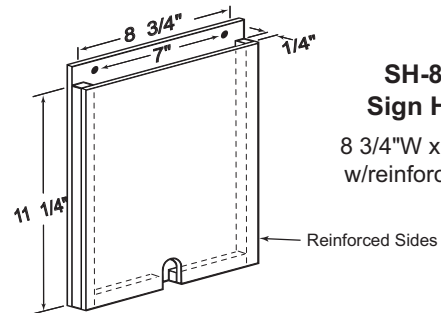
SH-4340
HR Poster
Cover
 44"W x 41"H



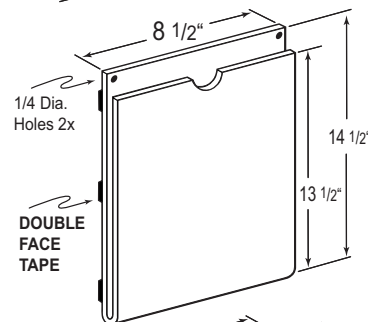
SH-811*
Signholder (Lightweight*)
 11 1/8"W x 9 5/8"H
 * Available in **Durable Plastic (PE)**, when ordering specify index **-P**
SH-811-P



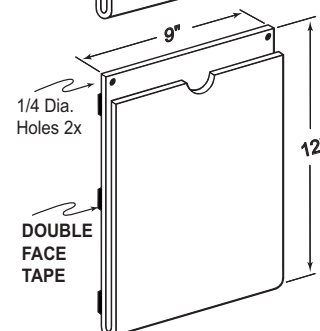
SH-811-A*
Sign Holder (Lightweight)
 11 1/8"W x 9 5/8"H
 * Available in **Durable Plastic (PE)**, when ordering specify index **-P**
SH-811-A-P



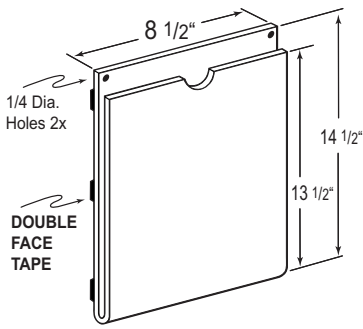
SH-811-1
Sign Holder
 8 3/4"W x 11 1/4"H
 w/reinforced sides



SH-813
Emergency
Procedure
Holder
 Heavy Duty
 8 1/2"W x 14"H

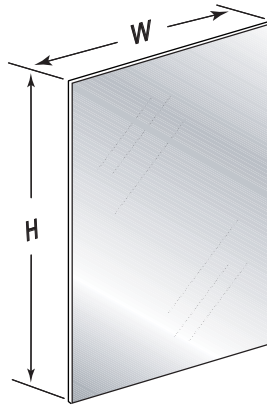


SH-911*
Vertical Display Holder
 Heavy Duty, 9"W x 12"H
 * Available in **Durable Plastic (PE)**, when ordering specify index **-P**
SH-911-P



**SH-813
Emergency
Procedure
Holder**

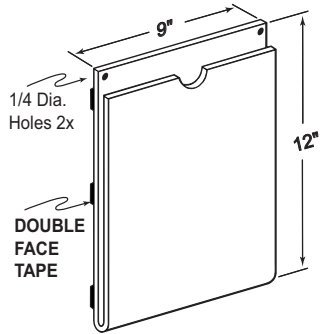
Heavy Duty
8 1/2"W x 14"H



**SM-CTS
Replacement
Acrylic Mirrors**

Will be cut to
provided dimensions,
Width and Height

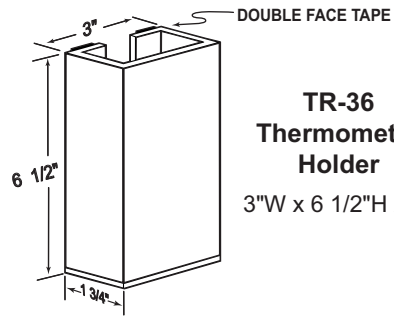
CUT TO SIZE



**SH-911*
Vertical Display Holder**

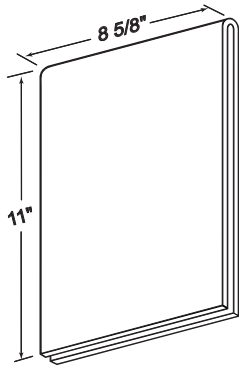
Heavy Duty, 9"W x 12"H

* Available in *Durable
Plastic (PE)*, when
ordering specify index *-P*
SH-911-P



**TR-36
Thermometer
Holder**

3"W x 6 1/2"H x 1 3/4"D

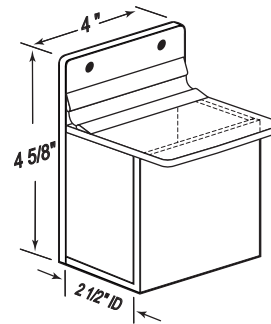


**SHEV-1
E-Verify Sign Holder**

**Insert for
WEC-1 Employment Center**

Holds 8 1/2" x 11" poster
Comes with VELCRO tab

VELCRO TAB
ON THE BACK



**TS-346
Test Strip
Holder**

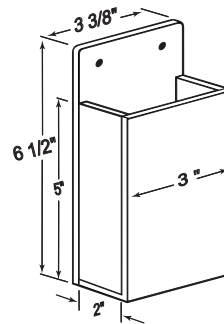
4"W x 4 5/8"H
x 3 5/8"D



**SHEV-2
E-Verify Sign Holder
Wall Mount**

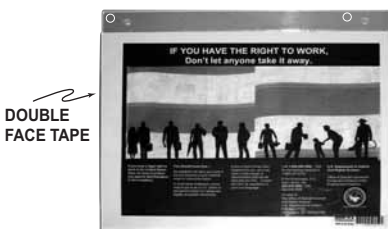
Holds an 8 1/2" x 11" poster
to inform your future employees
that you will verify employment
eligibility and the validity of
their SS numbers.

Poster is included.
Available in English & Spanish.



**TS-3460
Frosty Lube
Holder**

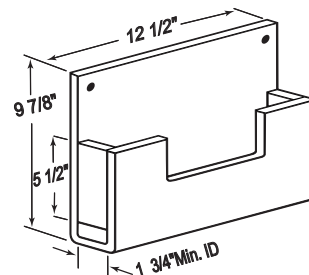
3 3/8"W x 6 1/2"H



**SHEV-3
E-Verify - Right to Work
Wall Mount Sign Holder**

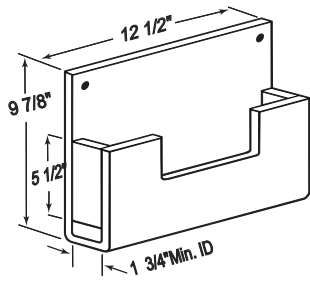
Holds 8 1/2" x 11" poster
to inform employees & new hires
that their right to work is protected
against discrimination.

Poster is included.
Available in English & Spanish.

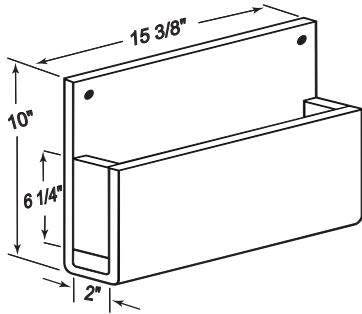


**WBH-1
Greenbook/Redbook
Holder
(Small)**

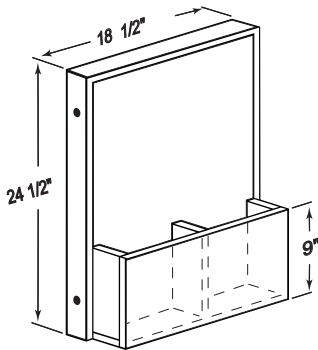
12 1/2"W x 10"H



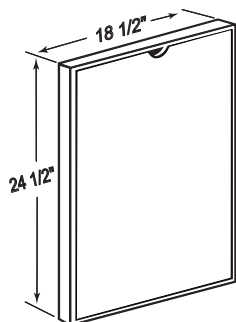
WBH-1
Greenbook/Redbook
Holder
(Small)
12 1/2"W x 10"H



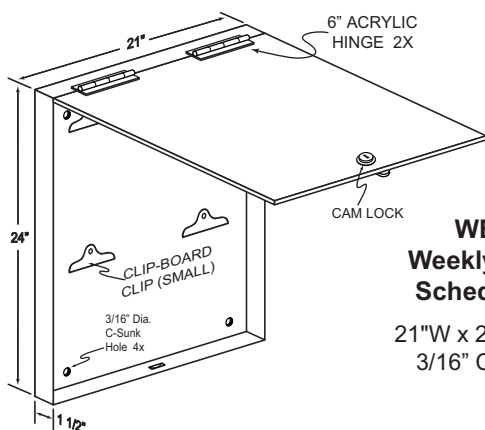
WBH-2
Workbook
Holder
(Large)
15 3/8"W x 10"H



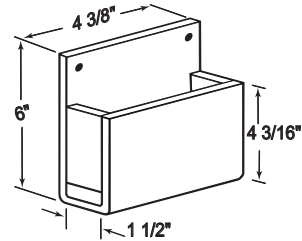
WEC-1
Employment Center
Holds 18"W x 24"H
Employment poster
plus two 8 1/2"W x 11"H
pockets for brochures
and applications



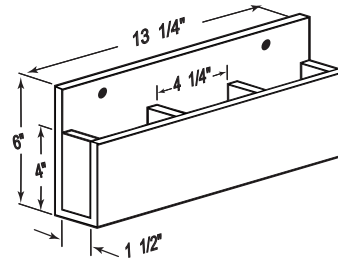
WEC-2
Employment Center
Poster Holder
18 1/2"W x 24 1/2"H



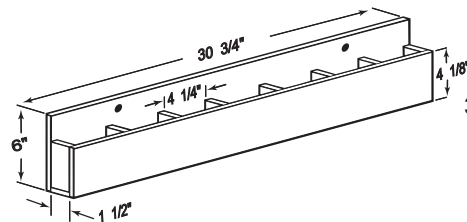
WES-2124
Weekly Employee
Schedule Holder
21"W x 24"H x 1 1/2"D
3/16" Clear Acrylic



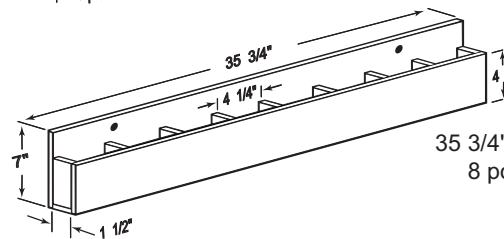
WM-461
COT in Progress
Form Holder
4 3/8" W x 6" H x 1 3/4" D



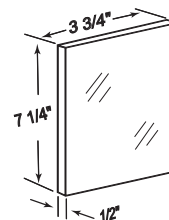
WM-463
Crew Training
Guide Holder
13 1/4"W x 6"H x 1 1/2"D
3 pockets 4 1/4"W



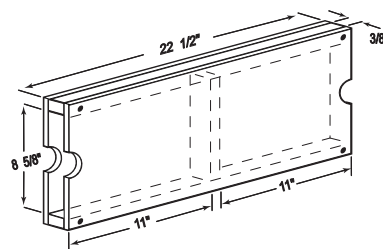
WM-467
Crew Training
Guide Holder
30 3/4"W x 6"H x 1 1/2"D
7 pockets, 4 1/4"W



WM-468
Crew Training
Guide Holder
35 3/4"W x 7"H x 1 1/2"D
8 pockets, 4 1/2"W



WPC-73
1/2" Polycarbonate
Bullet Resistant Panel
3 3/4"W x 7 1/4"H x 1/2"D
Cut to Size available



WPD-2
Weekly Plan
Holder
2 pockets
11"W x 8 1/2"H

Do you have a special need at your store?
We provide custom fabrication services.
Call us with your ideas 1-800-878-6144
We also have:
Menu Holders, Brochure Racks, Sign Holders,
Ballot and Donation Boxes, Product Displays, and more.